

Mighty Mini[®]

The economical solution to remove unwanted oil in coolants & parts washers!

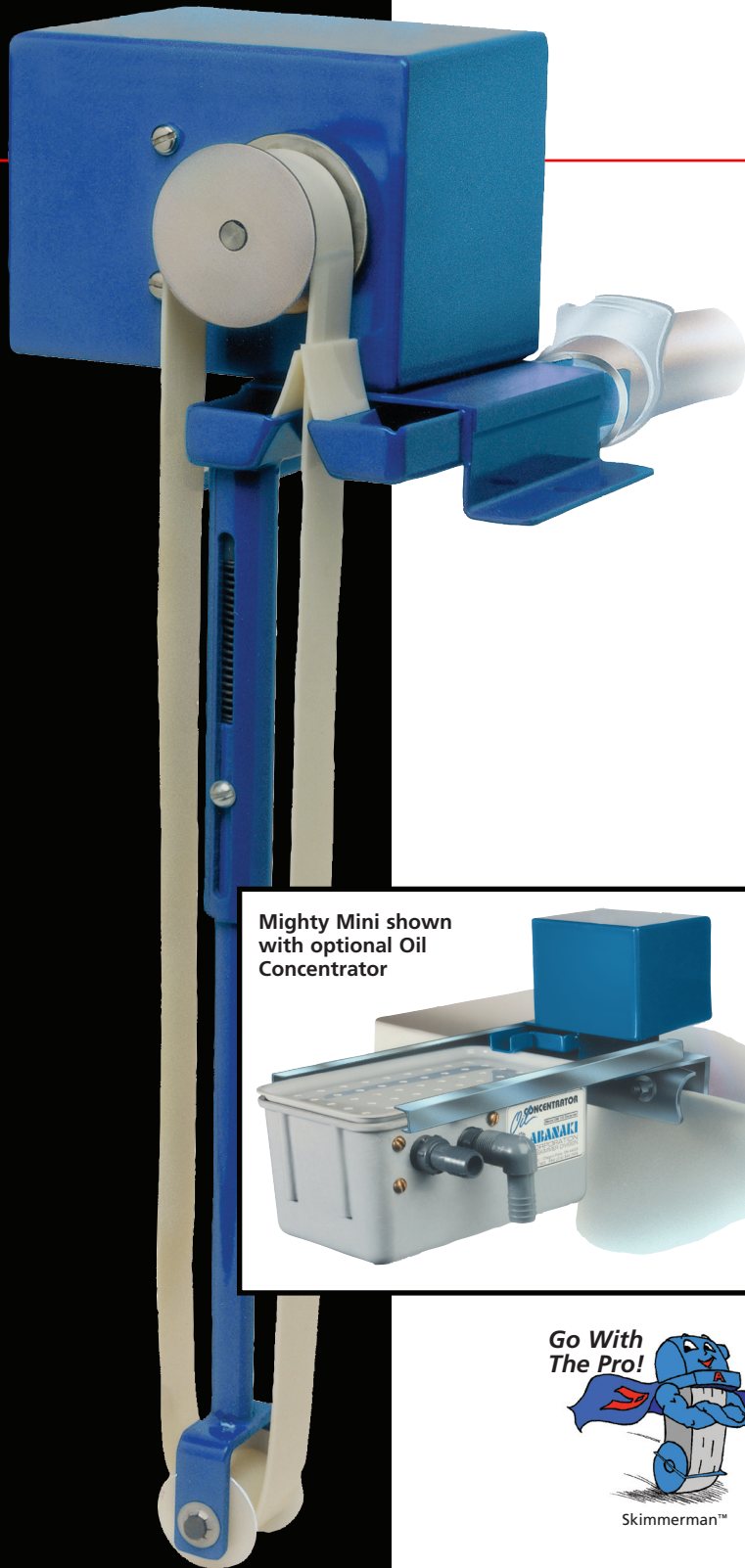
Effective. Removes one (1" wide belt) gallon or more of medium weight oil per hour. Compact. Use it almost anywhere...even through a 2" dia. bunghole in a drum.

Portable. Use it here today, there tomorrow. Weights only 6 pounds, installs in seconds and runs on 110 v. power.

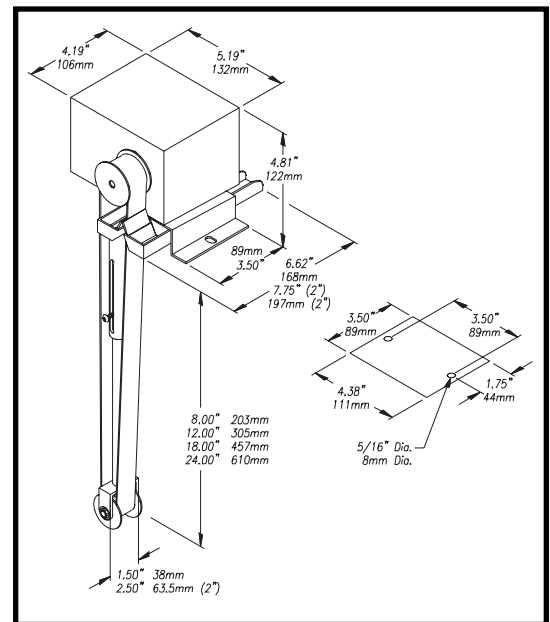
Complete. Put it to work right out of the box, or add the optional, easy-to-install decanter and brackets for an even more efficient system.

Durable. Constructed of tough engineered polymer and includes long life fan-cooled motor.

30-day Money Back Guarantee. Every Abanaki skimmer is backed as well as it's built. We do it right or you don't pay!



Mighty Mini shown with optional Oil Concentrator



ABANAKI[®]

OIL SKIMMERS

USA: 17387 Munn Road • Chagrin Falls, Ohio 44023
800-358-SKIM (7546) • (440) 543-7400 • FAX: (440) 543-7404

UK: Unit 13 • Avondale Business Centre • Woodland Way • Bristol BS15 1AW
 0117 9616679 • FAX: 0117 9616687

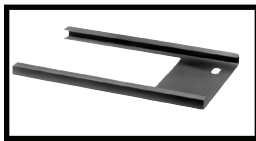
www.abanaki.com

Mighty Mini[®]

Coolant Saving Decanter



Decanters save money and improve efficiency by almost completely separating any coolant from the skimmed tramp oils. Oil-free coolant discharged from the decanter is returned to the original tank or directed to a separate container. Virtually no costly coolant gets thrown out with the tramp oil, and coolant-free oil is discharged for disposal.

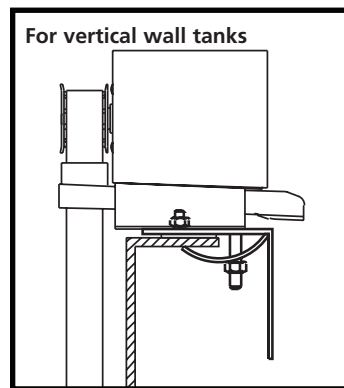
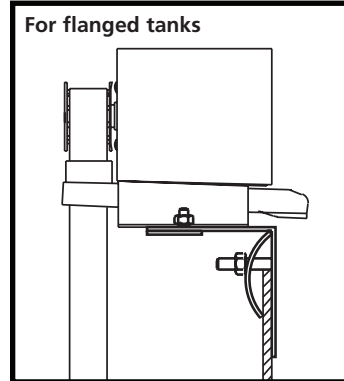


Decanter Assembly (Includes Adapter Bracket, right)
Model DM 100

Decanter Hose Kit

Model ODM 100HK: Two 5-foot lengths of discharge hose, one for oil and one for water.

Easy-Mount Skimmer Bracket



Mounting bracket clamps easily to vertical tank wall or horizontal flanged surface to provide fast, secure installation of skimmer.

Dual Position Mounting Bracket
Model OMMST 100

Mighty Mini Skimmers

- Fan-cooled motor
- 1" oleophilic belts or specially-engineered plastic belts
- Both sides of belt are wiped for better efficiency
- Engineered polymer base and housing
- Spring-loaded stabilizer bar
- 3-foot clear discharge hose and clamp
- 8-foot grounded power cord w/plug
- Stainless steel units available

Belt	1" (25.4mm)
Capacity	1gph (3.8lph)
Models Available	(Depth is measured from the bottom of the mounting base to the bottom of the tail pulley)
	Model MM 50-06 6" (152mm)
	Model MM 50-12 12" (305mm)
	Model MM 50-18 18" (457mm)
	Model MM 50-24 24" (610mm)

Standard Mighty Mini skimmers require 110v., 60-cycle electrical power. Models for 220v., 50-cycle are available.

ABANAKI

OIL SKIMMERS

USA: 17387 Munn Road • Chagrin Falls, Ohio 44023
800-358-SKIM (7546) • (440) 543-7400 • FAX: (440) 543-7404

UK: Unit 13 • Avondale Business Centre • Woodland Way • Bristol BS15 1AW
0117 9616679 • FAX: 0117 9616687

www.abanaki.com